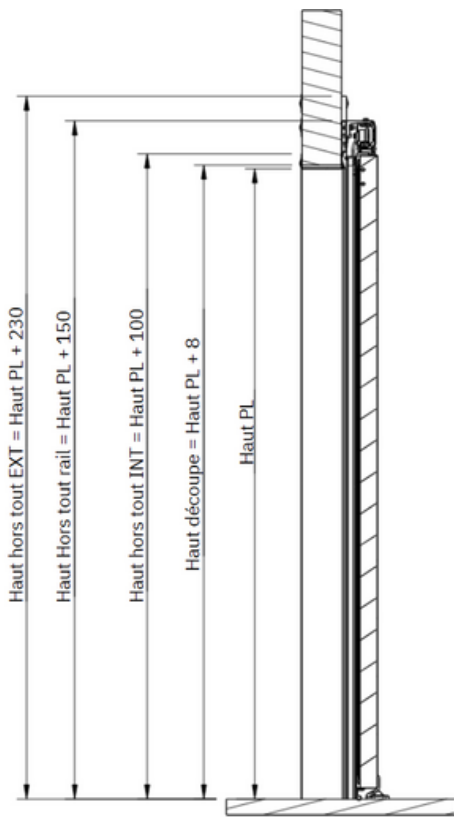
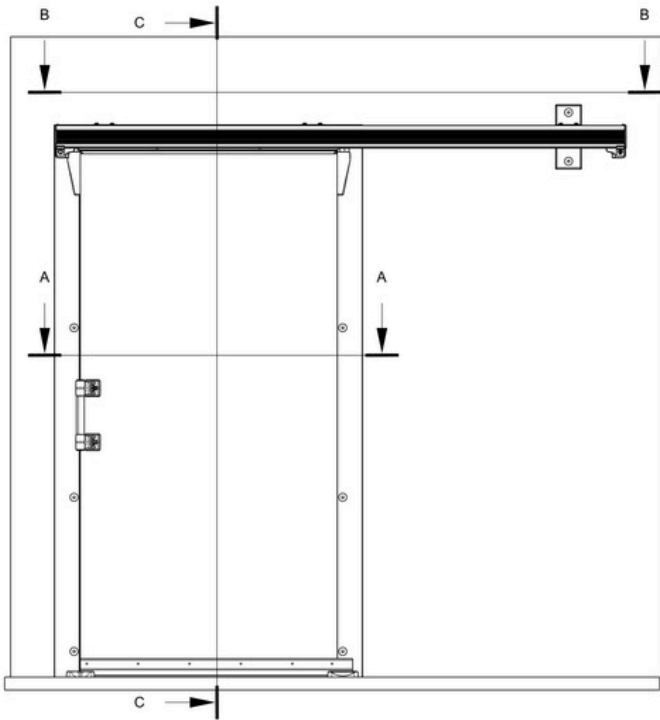
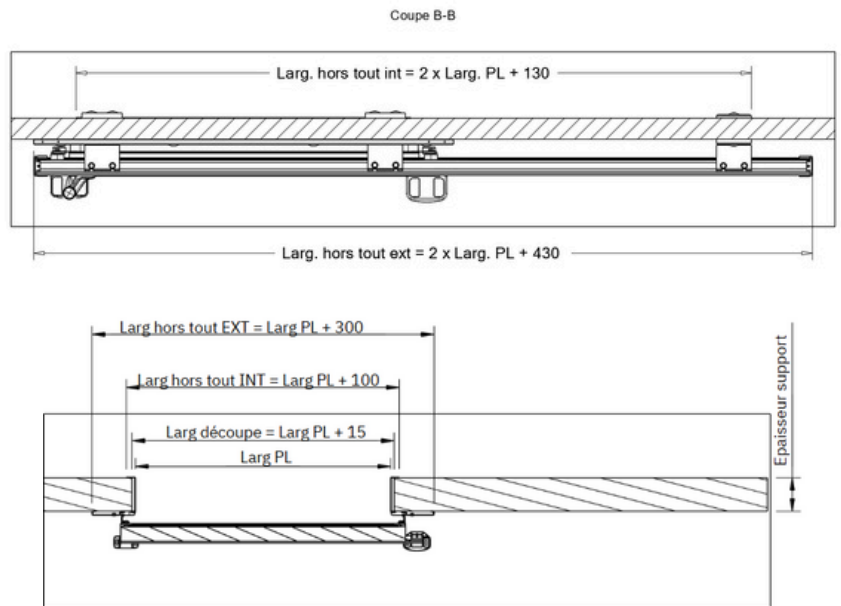


ISO coulissante positive NEO



Section C-C



Section A-A